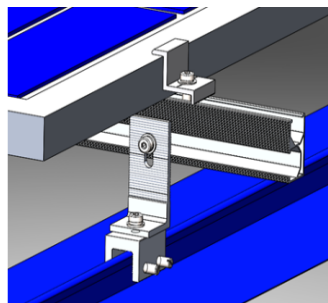
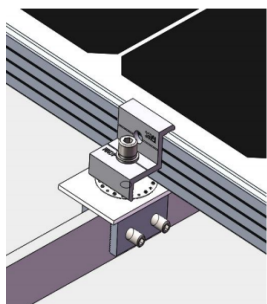




## OVERVIEW

The KR clamp, MX clamp is an universal non-perforating solution for KR-18 & KR-24 metal sheet, best ensuring the metal deck safety & whole solar mounting system stability.



## FEATURE

1. Fast installation with screw tighten on metal deck as system foundation;
2. Non-perforating protecting roof from water leakage or keep roof safe;
3. Rail & Railless solution available, considering different request;
4. Stainless steel bolts & anodized aluminum protect metal deck with least corrosion.

## SPECIFICATION

System Name	MetaRoof-MT-KR clamp
Roof Type	Metal roof
Tilt Angle	0° against rooftop with roof tilt of 0°-45°
Wind Load	60m/s
Snow Load	1.6kN/m <sup>2</sup>
Applicable Solar Module	Framed
Panel Layout	Portrait/Landscape
Design Standard	BS EN1991, ASCE7-10, BS 6399, AS-NZS 1170, GB 50009-2012, MS 1553
Material	AL-6005-T6 & SUS304&EPDM
Color	Sliver/Black
Warranty	10-year

### Description

4-Panel

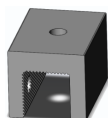
6-Panel

8-Panel

10-Panel

12-Panel

1



KR clamp

10

14

18

22

26

2



End Clamp 30/35 Kit

4

4

4

4

4

3



Mid Clamp 30/35 Kit

6

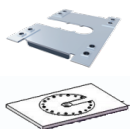
10

14

18

22

4



Grounding Clip  
( varied per usage )

10

14

18

22

26

5



Cable Clip

4

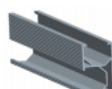
6

8

10

12

●



Rail L=4.75m

4

6

8

10

12